

NEW PRODUCTS





Moorestown Olive Knuckle - Ball Bearing - Standard Weight Hinges

<i>Hinges are Handed and Priced as Eaches</i>		Standard	Distressed	ETERNA
20-5032	5.0" x 3.2" Olive Knuckle Hinge	226.80	275.19	294.84
20-6038	6.0" x 3.8" Olive Knuckle Hinge	241.93	296.35	317.53

Moorestown Olive Knuckle - Ball Bearing - Standard Weight Hinges

Hinge Body: Hinge body is manufactured of solid forged brass.

Ball Bearings: Each hinge is equipped with one precision machined anti-friction ball bearing assembly. The two races are machined from 300 series Stainless Steel. The balls are Stainless Steel as well. The bearing shell is machined from brass of the same alloy as the hinge body to ensure an accurate color match. The construction results in an extremely durable, long life ball bearing which is able to withstand years of hard use and corrosive environments. This bearing greatly increases both the lateral and vertical load bearing capability of the hinge and therefore increases hinge life.

Finish: Hinges are individually hand polished assuring an even finish with no unpolished areas. Von Morris Olive Knuckle hinges are available in over 30 standard finishes. Custom finishing is available. Please refer to the Price List.

Pins: Pins are machined from 300 Stainless Steel for high durability and resistance to rust. They are permanently installed in one half of the hinge. The exposed end is rounded to facilitate re-assembly.

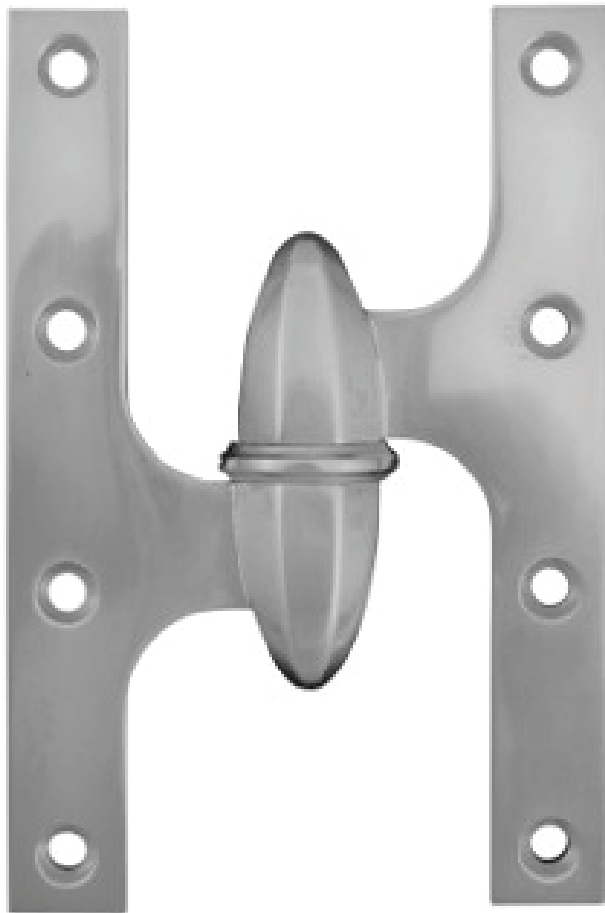
Fasteners: All hinges are provided with type "A" tapping screws. These are solid brass, flat head, counter sunk, undercut phillips head screws. Screws are bagged eight per bag.

Number of Hinges: For doors up to 89 inches, use three hinges. For each additional 30 inches or fraction thereof, use one additional hinge.

Packing: Two hinges per box with screws. Each hinge is poly bagged to prevent scratching. Hinges are packed 15 boxes per master carton.

Handing and Specifying : These hinges are handed. Please be sure to specify hand of hinges when ordering. Olive Knuckle Hinges are priced and sold as eaches.

Moorestown Olive Knuckle - Ball Bearing - Standard Weight - Solid Forged Brass



20-5032
20-6038

Part Number	Length of Joint	Width Open	Gauge of Metal	Screw Size	Screws Hinge	Packing per Box	Weight per Box	Knuckle Size
20-5032	5.0"	3.250"	0.169"	12 x 1.25"	8	2 pcs	1.6 lbs	2.60"H x 0.93"D
20-6038	6.0"	3.875"	0.203"	12 x 1.25"	8	2 pcs	2.0 lbs	2.60"H x 0.93"D

- Solid Forged Brass
- **Olive Knuckle Hinges are priced and sold as eaches.**
- Equipped with one precision machined, anti-friction bearing assembly per hinge.
- Ball bearings are machined from 300 series Stainless Steel and employ Stainless Steel balls.
- All pins are precision machined from 300 series Stainless Steel.
- **All Olive Knuckle Hinges are handed.** Be sure to specify hand of hinge when ordering.
- Custom open widths available upon request.
- Minimum door thickness 2.25".
- Installation: Centered on edge of door; knuckle 1/4" off face of door.



Moorestown Olive Knuckle - Ball Bearing - Heavy Weight Hinges

<i>Hinges are Handed and Priced as Eaches</i>		Standard	Distressed	ETERNA
20-6040	6.0" x 4.0" Olive Knuckle Hinge	272.16	338.69	355.33
20-6045	6.0" x 4.5" Olive Knuckle Hinge	287.28	359.86	378.00
20-6050	6.0" x 5.0" Olive Knuckle Hinge	302.40	381.03	400.68

Moorestown Olive Knuckle - Ball Bearing - Heavy Weight Hinges

Hinge Body: Hinge body is manufactured of solid brass.

Ball Bearings: Each hinge is equipped with one precision machined anti-friction ball bearing assembly. The two races are machined from 300 series Stainless Steel. The balls are Stainless Steel as well. The bearing shell is machined from brass of the same alloy as the hinge body to ensure an accurate color match. The construction results in an extremely durable, long life ball bearing which is able to withstand years of hard use and corrosive environments. This bearing greatly increases both the lateral and vertical load bearing capability of the hinge and therefore increases hinge life.

Finish: Hinges are individually hand polished assuring an even finish with no unpolished areas. Von Morris Olive Knuckle hinges are available in over 30 standard finishes. Custom finishing is available. Please refer to the Price List.

Pins: Pins are machined from 300 Stainless Steel for high durability and resistance to rust. They are permanently installed in one half of the hinge. The exposed end is rounded to facilitate re-assembly.

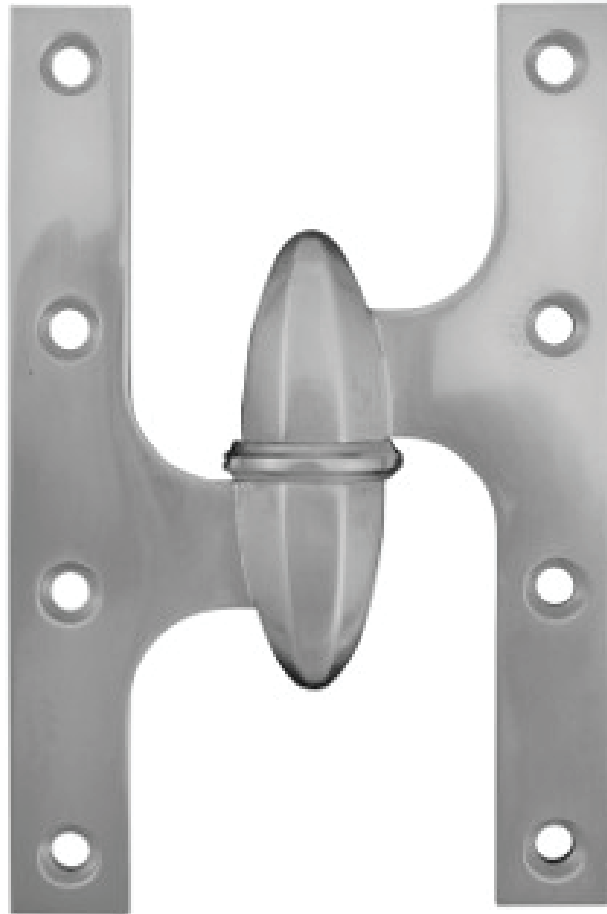
Fasteners: All hinges are provided with type "A" tapping screws. These are solid brass, flat head, counter sunk, undercut phillips head screws. Screws are bagged eight per bag.

Number of Hinges: For doors up to 89 inches, use three hinges. For each additional 30 inches or fraction thereof, use one additional hinge.

Packing: Two hinges per box with screws. Each hinge is poly bagged to prevent scratching. Hinges are packed 15 boxes per master carton.

Handing and Specifying: These hinges are handed. Please be sure to specify hand of hinges when ordering. Olive Knuckle Hinges are priced and sold as eaches.

Moorestown Olive Knuckle - Ball Bearing - Heavy Weight - Solid Brass



20-6040
20-6045
20-6050

Part Number	Length of Joint	Width Open	Guage of Metal	Screw Size	Screws Hinge	Packing per Box	Weight per Box	Knuckle Size
20-6040	6.0"	4.0"	0.255"	12 x 1.25"	8	2 pcs	1.2 lbs	2.60"H x 0.93"D
20-6045	6.0"	4.5"	0.255"	12 x 1.25"	8	2 pcs	1.3 lbs	2.60"H x 0.93"D
20-6050	6.0"	5.0"	0.255"	12 x 1.25"	8	2 pcs	1.4 lbs	2.60"H x 0.93"D

- Solid Brass
- **Olive Knuckle Hinges are priced and sold as eaches.**
- Equipped with one precision machined, anti-friction bearing assembly per hinge.
- Ball bearings are machined from 300 series Stainless Steel and employ Stainless Steel balls.
- All pins are precision machined from 300 series Stainless Steel.
- **All Olive Knuckle Hinges are handed.** Be sure to specify hand of hinge when ordering.
- Custom open widths available upon request.
- Minimum door thickness 2.25".
- Installation: Centered on edge of door; knuckle 1/4" off face of door.



Moorestown - Olive Knuckle - Cabinet Hinge

<i>Hinges are Handed and Priced as Eaches</i>		Standard	Distressed	ETERNA
20-2015	2.0" x 1.5" Olive Knuckle Cabinet Hinge	77.00	92.40	106.40
20-2520	2.5" x 2.0" Olive Knuckle Cabinet Hinge	92.40	115.50	124.60
20-3025	3.0" x 2.5" Olive Knuckle Cabinet Hinge	138.60	184.84	196.00

Solid Forged Brass - Olive Knuckle - Cabinet Hinge

Hinge Body: Hinge body is manufactured of solid brass.

Ball Bearings: Hinges so equipped have one precision machined anti-friction ball bearing assembly. The two races are machined from 300 series Stainless Steel. The balls are Stainless Steel as well. The bearing shell is machined from brass of the same alloy as the hinge body to ensure an accurate color match. The construction results in an extremely durable, long life ball bearing which is able to withstand years of hard use and corrosive environments. These bearings greatly increase both the lateral and vertical load bearing capability of the hinge and therefore increase hinge life.

Finish: Hinges are individually hand polished assuring an even finish with no unpolished areas. Von Morris Olive Knuckle hinges are available in over 30 standard finishes. Custom finishing is available upon request.

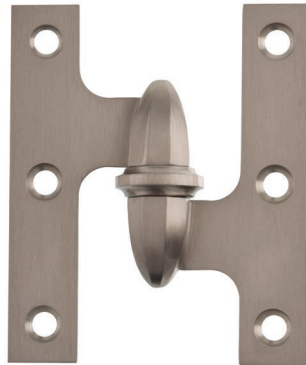
Pins: Pins are machined from 300 Stainless Steel for high durability and resistance to rust. They are permanently installed in one half of the hinge. The exposed end is rounded to facilitate re-assembly.

Fasteners: All hinges are provided with type "A" tapping screws. These are solid brass, flat head, counter sunk, undercut phillips head screws. All screws are lacquered to prevent tarnishing. Screws are bagged six per bag.

Packing: Five hinges per box with screws. Each hinge is poly bagged to prevent scratching.

Handing and Specifying: These hinges are handed. Please be sure to specify hand of hinges when ordering. Olive Knuckle Hinges are priced and sold as eaches.

Moorestown Olive Knuckle - Ball Bearing Solid Forged Brass - Cabinet Hinge



20-2015
20-2520
20-3025

Part Number	Length of Joint	Width Open	Gauge of Metal	Screw Size	Screws Hinge	Packing per Box	Weight per Box	Knuckle Size
20-2015	2.0"	1.5"	0.093"	6 x 0.75"	6	5 pcs	0.48 lbs	1.12"H x 0.39"D
20-2520	2.5"	2.0"	0.093"	6 x 0.75"	6	5 pcs	0.78 lbs	1.49"H x 0.50"D
20-3025	3.0"	2.5"	0.093"	8 x 0.75"	6	5 pcs	1.00 lbs	1.62"H x 0.50"D

- **Olive Knuckle Hinges are priced and sold as eaches.**
- Hinges Number 20-2015 and 20-2520 are equipped with one brass bushing each.
- Hinge 20-3025 is equipped with one precision machined ball bearing assembly.
- Ball bearings are machined from 300 series Stainless Steel and employ Stainless Steel balls.
- All pins are machined from 300 series Stainless Steel.
- **All Olive Knuckle Hinges are handed.** Be sure to specify hand of hinge when ordering.

Moorestown Locking Privacy Cremone Bolt

Features:

Von Morris Moorestown Cremone Bolts feature a solid brass case CNC milled from brass billet and guides with an internal mechanism of brass and stainless steel. The Locking Cremone case is very narrow, less than 1.5", for use on narrow stiles of French doors and windows. Cremone Bolt locks from the exterior with a rim cylinder and inside with a turnpiece. Cremone case contains a cassette mechanism that can be handed simply by reversing the cassette. The Cremone can also be easily changed from lever operation (90° rotation) to knob operation (180°) simply by relocating the spindle. Shoot Bolts are attached to the Cremone mechanism with machine screws. Cremone Bolt design is very clean, featuring concealed Shoot Bolt guides. **Price Includes Moorestown Turnpiece and Cylinder Collar along with either a pair of Small Moorestown Levers or Knobs, and a small Moorestown Rose for the exterior**

Guides::

End Guides have a flat spring operating on the front of the bolt to prevent rattling. The length of the Guide and placement of the spring conceals any scratches on the bolt caused by the spring. This End Guide design allows the bolts to be installed on the door and then cut to length at the job site.

Locking Cremone Case Size:

Length of Cassette:	10.5"
Width:	1.5"
Height to edge of case:	0.787"
Height to face of knob/lever boss:	1.024"
Spindle hub to turnpiece spacing:	2.250"
Spindle hub to cylinder spacing:	2.467"

Spindle Height: Standard Spindle height is 42".

Standard Lengths: 7', 8' and 10'. Other sizes by special order.
Bolts can be cut to size at job site.

Hub Rotation: Knob - 180° rotation. Lever - 90° rotation.

Throw: Knob Operation – 1.00" Lever Operation – 0.75"

Spindle: Cremones are supplied with a special spindle for double sided operation

Bolts:
 Bottom bolt: 0.625" wide x 40.01"
 Top bolt: 0.625" wide x 40.03" for a 7.0' Door
 Top bolt: 0.625" wide x 52.92" for a 8.0' Door
 Top bolt: 0.625" wide x 76.92" for a 10.0' Door

Strikes: Cremone Bolts are supplied with Mortise and Universal strikes. Angle strikes and Box strikes are available at an additional cost.



Moorestown Privacy/Locking Cremone Bolt

<i>Includes Moorestown Suited Trim</i>		Standard	Distressed	ETERNA
BOL135-84	Moorestown Privacy Cremone Bolt for 7'0 Door	2,508.10	2,730.50	3,033.90
BOL135-96	Moorestown Privacy Cremone Bolt for 8'0 Door	2,772.84	3,016.26	3,351.41
BOL135-120	Moorestown Privacy Cremone Bolt for 10'0 Door	3,302.04	3,587.80	4,012.40

All Prices in US Dollars - Prices Subject to Change Without Notice
Please Check with Customer Service for Up to Date Pricing.

Moorestown Dummy Privacy Cremone Bolt

<i>Includes Moorestown Suited Trim</i>		Standard	Distressed	ETERNA
BOL147-84	Moorestown Dummy Privacy Cremone for 7'0 Door	1,279.80	1,396.20	1,550.00
BOL147-96	Moorestown Dummy Privacy Cremone for 8'0 Door	1,609.60	1,753.40	1,946.76
BOL147-120	Dummy Privacy Cremone for 10'0 Door	2,271.00	2,467.82	2,740.42

Supplied Standard



2100-US
Universal Strike



9941-045
Double Sided
Special Spindle



9150
Rim Cylinder

Optional Accessories



2100-AS
Angle Strike



ACC171
Moorestown Box Strike

Cremone Bolt Accessories

		Standard	Distressed	ETERNA
2100-AS	Optional Angle Strike	20.56	22.15	23.72
ACC171	Moorestown Box Strike	66.00	73.00	82.00
9150	Rim Cylinder	58.80	63.50	70.56
		Mill Finish		
9931-020	Single Sided 2.0" Spindle	28.00		
9941-045	Double Sided 4.5" Spindle	72.80		
2700-06A	Double Sided 6.0" Spindle for Thick Doors 3" Max Thickness	72.80		

Moorestown Standard/Passage Cremone Bolt



Features:

Von Morris Moorestown Cremone Bolts feature a solid brass case CNC milled from brass billet and guides with an internal mechanism of brass and stainless steel. The Standard Cremone case is very narrow, less than 1.5", for use on narrow stiles of French doors and windows. Cremone case contains a cassette mechanism that can be handed simply by reversing the cassette. The Cremone can also be easily changed from lever operation (90° rotation) to knob operation (180°) simply by relocating the spindle. Shoot Bolts are attached to the Cremone mechanism with machine screws. **Price Includes a half pair of Small Moorestown Levers or Knobs.**

Guides:

End Guides have a flat spring operating on the front of the bolt to prevent rattling. The length of the Guide and placement of the spring conceals any scratches on the bolt caused by the spring. This End Guide design allows the bolts to be installed on the door and then cut to length at the job site.

Standard Cremone Case Size:

Length of Cassette:	10.5"
Width:	1.5"
Height to edge of case:	0.787"
Height to face of knob/lever boss:	1.024"

Spindle Height: Standard Spindle height is 42".

Standard Lengths: 7', 8' and 10'. Other sizes by special order.
Bolts can be cut to size at job site.

Hub Rotation: Knob - 180° rotation. Lever - 90° rotation.

Throw: Knob Operation – 1.00" Lever Operation – 0.75"

Spindle: Cremones are supplied with a special spindle for double sided operation

Bolts:
Bottom bolt: 0.625" wide x 40.01"
Top bolt: 0.625" wide x 40.03" for a 7.0' Door
Top bolt: 0.625" wide x 52.92" for a 8.0' Door
Top bolt: 0.625" wide x 76.92" for a 10.0' Door

Strikes: Cremone Bolts are supplied with Mortise and Universal strikes. Angle strikes and Box strikes are available at an additional cost.



Moorestown Standard/Passage Cremone Bolt

	<i>Includes Moorestown Suited Trim</i>	Standard	Distressed	ETERNA
BOL136-84	Moorestown Standard Cremone Bolt for 7'0 Door	1,069.90	1,169.93	1,298.31
BOL136-96	Moorestown Standard Cremone Bolt for 8'0 Door	1,334.50	1,455.70	1,615.50
BOL136-120	Moorestown Standard Cremone Bolt for 10'0 Door	1,863.65	2,027.25	2,250.00

All Prices in US Dollars - Prices Subject to Change Without Notice
Please Check with Customer Service for Up to Date Pricing.

Supplied Standard



2100-US
Universal Strike



9931-020
Single Spindle

Optional Accessories



2100-AS
Angle Strike



ACC171
Moorestown Box Strike

Cremone Bolt Accessories

		Standard	Distressed	ETERNA
2100-AS	Optional Angle Strike	20.56	22.15	23.72
ACC171	Moorestown Box Strike	66.00	73.00	82.00

		Mill Finish
9931-020	Single Sided 2.0" Spindle	28.00
9941-045	Double Sided 4.5" Spindle	72.80
2700-06A	Double Sided 6.0" Spindle for Thick Doors 3" Max Thickness	72.80



Weave Privacy/Locking Cremone Bolt

<i>Includes Weave Suited Trim</i>		Standard	Distressed	ETERNA
BOL119-84	Privacy Cremone Bolt for 7'0 Door	2,696.34	2,940.04	3,254.79
BOL119-96	Privacy Cremone Bolt for 8'0 Door	2,972.10	3,237.60	3,585.84
BOL119-120	Privacy Cremone Bolt for 10'0 Door	3,523.36	3,832.95	4,247.29

All Prices in US Dollars - Prices Subject to Change Without Notice
Please Check with Customer Service for Up to Date Pricing.

Weave Dummy Privacy Cremone Bolt

<i>Includes Weave Suited Trim</i>		Standard	Distressed	ETERNA
BOL121-84	Dummy Privacy Cremone Bolt for 7'0 Door	1,334.98	1,464.30	1,629.22
BOL121-96	Dummy Privacy Cremone Bolt for 8'0 Door	1,679.49	1,836.62	2,042.66
BOL121-120	Dummy Privacy Cremone Bolt for 10'0 Door	2,368.60	2,580.59	2,869.40

Supplied Standard



2100-US
Universal Strike



9941-045
Double Sided
Special Spindle



9150
Rim Cylinder

Optional Accessories



2100-AS
Angle Strike



ACC170
Weave Box Strike

Cremone Bolt Accessories

		Standard	Distressed	ETERNA
2100-AS	Optional Angle Strike	20.56	22.15	23.72
ACC170	Weave Box Strike	70.56	76.20	84.67
9150	Rim Cylinder		63.50	70.56
		Mill Finish		
9931-020	Single Sided 2.0" Spindle	28.00		
9941-045	Double Sided 4.5" Spindle	72.80		
2700-06A	Double Sided 6.0" Spindle for Thick Doors 3" Max Thickness	72.80		

Weave Locking Privacy Cremone Bolt



Features:

Von Morris Weave Cremone Bolts feature a solid brass case CNC milled from brass billet and guides with an internal mechanism of brass and stainless steel. The Locking Cremone case is very narrow, less than 1.5", for use on narrow stiles of French doors and windows. Cremone Bolt locks from the exterior with a rim cylinder and inside with a turnpiece. Cremone case contains a cassette mechanism that can be handed simply by reversing the cassette. The Cremone can also be easily changed from lever operation (90° rotation) to knob operation (180°) simply by relocating the spindle. Shoot Bolts are attached to the Cremone mechanism with machine screws. **Price Includes Weave Turnpiece and Cylinder Collar along with either a pair or Weave Levers or Knobs, and a small Weave Rose for the exterior**

Guides:

End Guides have a flat spring operating on the front of the bolt to prevent rattling. The length of the Guide and placement of the spring conceals any scratches on the bolt caused by the spring. This End Guide design allows the bolts to be installed on the door and then cut to length at the job site.

Locking Cremone Case Size:

Length:	10.5"
Width:	1.5"
Height to edge of case:	0.787"
Height to face of knob/lever boss:	1.024"
Spindle hub to turnpiece spacing:	2.250"
Spindle hub to cylinder spacing:	2.467"

Spindle Height: Standard Spindle height is 42".

Standard Lengths: 7', 8' and 10'. Other sizes by special order.
Bolts can be cut to size at job site.

Hub Rotation: Knob - 180° rotation. Lever - 90° rotation.

Throw: Knob Operation – 1.00" Lever Operation – 0.75"

Spindle: Cremones are supplied with a special spindle for double sided operation

Bolts:
Bottom bolt: 0.625" wide x 40.01"
Top bolt: 0.625" wide x 40.03" for a 7.0' Door
Top bolt: 0.625" wide x 52.92" for a 8.0' Door
Top bolt: 0.625" wide x 76.92" for a 10.0' Door

Strikes: Cremone Bolts are supplied with Mortise and Universal strikes. Angle strikes and Box strikes are available at an additional cost.



Weave Standard/Passage Cremone Bolt

	<i>Includes Weave Suited Trim</i>	Standard	Distressed	ETERNA
BOL120-84	Weave Standard/Passage Cremone Bolt for 7'0 Door	1,075.82	1,166.83	1,299.20
BOL120-96	Weave Standard/Passage Cremone Bolt for 8'0 Door	1,351.50	1,476.32	1,640.09
BOL120-120	Weave Standard/Passage Cremone Bolt for 10'0 Door	1,902.68	2,071.67	2,301.63

All Prices in US Dollars - Prices Subject to Change Without Notice
Please Check with Customer Service for Up to Date Pricing.

Supplied Standard



2100-US
Universal Strike



9931-020
Single Spindle

Optional Accessories



2100-AS
Angle Strike



ACC170
Weave Box Strike

Cremone Bolt Accessories

		Standard	Distressed	ETERNA
2100-AS	Optional Angle Strike	20.56	22.15	23.72
ACC170	Weave Box Strike	70.56	76.20	84.67

		Mill Finish
9931-020	Single Sided 2.0" Spindle	28.00
9941-045	Double Sided 4.5" Spindle	72.80
2700-06A	Double Sided 6.0" Spindle for Thick Doors 3" Max Thickness	72.80

Weave Standard/Passage Cremone Bolt



Features:

Von Morris Weave Cremone Bolts feature a solid brass case CNC milled from brass billet and guides with an internal mechanism of brass and stainless steel. The Standard Cremone case is very narrow, less than 1.5", for use on narrow stiles of French doors and windows. Cremone case contains a cassette mechanism that can be handed simply by reversing the cassette. The Cremone can also be easily changed from lever operation (90° rotation) to knob operation (180°) simply by relocating the spindle. Shoot Bolts are attached to the Cremone mechanism with machine screws. **Price Includes a half pair of Weave Levers or Knobs.**

Guides:

End Guides have a flat spring operating on the front of the bolt to prevent rattling. The length of the Guide and placement of the spring conceals any scratches on the bolt caused by the spring. This End Guide design allows the bolts to be installed on the door and then cut to length at the job site.

Standard/Passage Cremone Case Size:

Length:	7.75"
Width:	1.5"
Height to edge of case:	0.787"
Height to face of knob/lever boss:	1.024"

Spindle Height: Standard Spindle height is 42".

Standard Lengths: 7', 8' and 10'. Other sizes by special order.
Bolts can be cut to size at job site.

Hub Rotation: Knob - 180° rotation. Lever - 90° rotation.

Throw: Knob Operation – 1.00" Lever Operation – 0.75"

Spindle: Cremones are supplied with a special spindle for double sided operation

Bolts:
Bottom bolt: 0.625" wide x 40.01"
Top bolt: 0.625" wide x 40.03" for a 7.0' Door
Top bolt: 0.625" wide x 52.92" for a 8.0' Door
Top bolt: 0.625" wide x 76.92" for a 10.0' Door

Strikes: Cremone Bolts are supplied with Mortise and Universal strikes. Angle strikes and Box strikes are available at an additional cost.



French Deco Oval Knob with Small French Deco Rose

	Entry Mortise	Standard	Distressed	ETERNA
CS03120	French Deco Oval Knob with Small Rose - Entry Mortise	997.63	1,107.83	1,212.88
IML Mortise Sets				
CS03121	French Deco Oval Knob with Small Rose - IML Passage	460.03	524.31	584.56
CS03122	French Deco Oval Knob with Small Rose - IML Privacy	724.35	813.27	898.16
CS03123	French Deco Oval Knob with Small Rose - IML Bit Key	672.83	819.98	897.12
CS03124	French Deco Oval Knob with Small Rose - IML Single	783.71	881.59	969.84
CS03125	French Deco Oval Knob with Small Rose - IML Double	761.31	863.67	948.56
Tubular Latch Sets				
CS03126	French Deco Oval Knob with Small Rose - TL Passage, 2-3/4 BS	320.03	382.07	425.52
CS03127	French Deco Oval Knob with Small Rose - TL Passage, 2-3/8 BS	320.03	382.07	425.52
CS03128	French Deco Oval Knob with Small Rose - Privacy (Passage TL with Mortise Bolt 2-3/8 BS)	598.91	702.39	796.24
Dummy Trim				
CS03129	French Deco Oval Knob with Small Rose - Single Dummy	145.45	171.74	186.44
CS03130	French Deco Oval Knob with Small Rose - Pair of Dummies	281.95	333.91	363.92

Prices are based upon a standard 1.75 inch door thickness and 2.5 inch backset lock. Other backsets and accommodations for alternate door thicknesses are available at extra cost. Please check with customer service.

All IML Privacy and Tubular Mortise Bolt Privacy Sets come with ER Trim Standard on the Exterior. Exterior Bit Key Trim can be substituted for no additional charge.



French Deco Oval Knob with Large French Deco Rose

	Entry Mortise	Standard	Distressed	ETERNA
CS03131	French Deco Oval Knob with Large Rose - Entry Mortise	1,016.67	1,115.67	1,220.72
IML Mortise Sets				
CS03132	French Deco Oval Knob with Large Rose - IML Passage	479.07	532.15	584.56
CS03133	French Deco Oval Knob with Large Rose - IML Privacy	742.27	819.13	898.16
CS03134	French Deco Oval Knob with Large Rose - IML Bit Key	742.27	819.13	898.16
CS03135	French Deco Oval Knob with Large Rose - IML Single	802.75	889.43	977.68
CS03136	French Deco Oval Knob with Large Rose - IML Double	780.35	871.51	956.40
Tubular Latch Sets				
CS03137	French Deco Oval Knob with Large Rose - TL Passage, 2-3/4 BS	362.59	413.13	456.88
CS03138	French Deco Oval Knob with Large Rose - TL Passage, 2-3/8 BS	362.59	413.13	456.88
CS03139	French Deco Oval Knob with Large Rose - TL Privacy, 2-3/4 BS	393.59	444.79	484.88
CS03140	French Deco Oval Knob with Large Rose - TL Privacy, 2-3/8 BS	393.59	444.32	484.88
CS03141	French Deco Oval Knob with Large Rose - Privacy (Passage TL with Mortise Bolt 2-3/8 BS)	640.35	732.63	827.60
Dummy Trim				
CS03142	French Deco Oval Knob with Large Rose - Single Dummy	154.97	175.36	190.36
CS03143	French Deco Oval Knob with Large Rose - Pair of Dummies	300.99	341.75	371.76

All Prices in US Dollars - Prices Subject to Change Without Notice
Please Check with Customer Service for Up to Date Pricing.

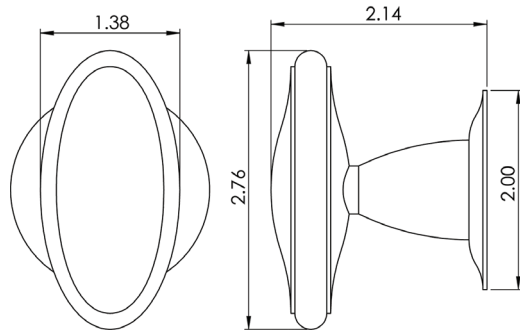
French Deco Oval Knob on Rose

French Deco Oval Knob on Small French Deco Rose



French Deco Oval Knob KNB1043
French Deco Small Rose Ros1036

- Classic French Deco Design
- Solid Forged Brass Knob and Rose
- Hand Polished
- Fully Concealed Mounting
- All IML Privacy and Tubular Mortise Bolt Privacy Sets come with ER Trim Standard on the Exterior. Exterior Bit Key Trim can be substituted for no additional charge.

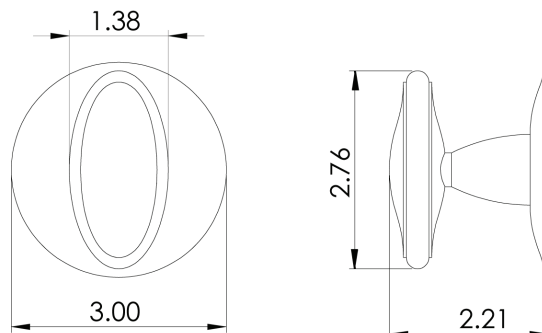


French Deco Oval Knob on Large French Deco Rose



French Deco Oval Knob KNB1043
French Deco Large Rose Ros1037

- Classic French Deco Design
- Solid Forged Brass Knob and Rose
- Hand Polished
- Fully Concealed Mounting
- All IML Privacy and Tubular Mortise Bolt Privacy Sets come with ER Trim Standard on the Exterior. Exterior Bit Key Trim can be substituted for no additional charge.





French Deco Round Knob with Small French Deco Rose

	Entry Mortise	Standard	Distressed	ETERNA
CS03043	French Deco Round Knob with Small Rose - Entry Mortise	997.63	1,107.83	1,212.88
IML Mortise Sets				
CS03044	French Deco Round Knob with Small Rose - IML Passage	460.03	524.31	584.56
CS03045	French Deco Round Knob with Small Rose - IML Privacy	724.35	813.27	898.16
CS03046	French Deco Round Knob with Small Rose - IML Bit Key	672.83	819.98	897.12
CS03047	French Deco Round Knob with Small Rose - IML Single	783.71	881.59	969.84
CS03048	French Deco Round Knob with Small Rose - IML Double	761.31	863.67	948.56
Tubular Latch Sets				
CS03049	French Deco Round Knob with Small Rose - TL Passage, 2-3/4 BS	320.03	382.07	425.52
CS03050	French Deco Round Knob with Small Rose - TL Passage, 2-3/8 BS	320.03	382.07	425.52
CS03051	French Deco Round Knob with Small Rose - Privacy (Passage TL with Mortise Bolt 2-3/8 BS)	589.81	702.39	796.24
Dummy Trim				
CS03052	French Deco Round Knob with Small Rose - Single Dummy	145.45	171.74	186.44
CS03053	French Deco Round Knob with Small Rose - Pair of Dummies	281.95	333.91	363.92

Prices are based upon a standard 1.75 inch door thickness and 2.5 inch backset lock. Other backsets and accommodations for alternate door thicknesses are available at extra cost. Please check with customer service.

All IML Privacy and Tubular Mortise Bolt Privacy Sets come with ER Trim Standard on the Exterior. Exterior Bit Key Trim can be substituted for no additional charge.



French Deco Round Knob with Large French Deco Rose

	Entry Mortise	Standard	Distressed	ETERNA
CS03054	French Deco Round Knob with Large Rose - Entry Mortise	1,016.67	1,115.67	1,220.72
IML Mortise Sets				
CS03055	French Deco Round Knob with Large Rose - IML Passage	479.07	532.15	584.56
CS03056	French Deco Round Knob with Large Rose - IML Privacy	742.27	819.13	898.16
CS03057	French Deco Round Knob with Large Rose - IML Bit Key	689.63	819.84	897.12
CS03058	French Deco Round Knob with Large Rose - IML Single	802.75	889.43	977.68
CS03059	French Deco Round Knob with Large Rose - IML Double	780.35	871.51	956.40
Tubular Latch Sets				
CS03060	French Deco Round Knob with Large Rose - TL Passage, 2-3/4 BS	362.59	413.13	456.88
CS03061	French Deco Round Knob with Large Rose - TL Passage, 2-3/8 BS	362.59	413.13	456.88
CS03062	French Deco Round Knob with Large Rose - TL Privacy, 2-3/4 BS	393.59	444.32	484.88
CS03063	French Deco Round Knob with Large Rose - TL Privacy, 2-3/8 BS	393.59	444.32	484.88
CS03064	French Deco Round Knob with Large Rose - Privacy (Passage TL with Mortise Bolt 2-3/8 BS)	640.35	732.63	827.60
Dummy Trim				
CS03065	French Deco Round Knob with Large Rose - Single Dummy	154.97	175.36	190.36
CS03066	French Deco Round Knob with Large Rose - Pair of Dummies	300.99	341.75	371.76

All Prices in US Dollars - Prices Subject to Change Without Notice
Please Check with Customer Service for Up to Date Pricing.

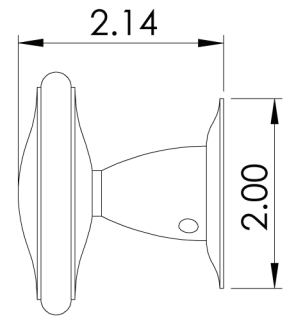
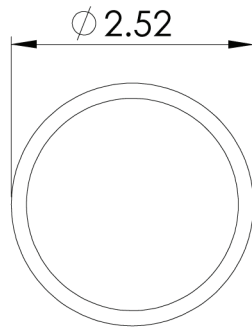
French Deco Round Knob on Rose

French Deco Round Knob on Small French Deco Rose

- Classic French Deco Design
- Solid Forged Brass Knob and Rose
- Hand Polished
- Fully Concealed Mounting
- All IML Privacy and Tubular Mortise Bolt Privacy Sets come with ER Trim Standard on the Exterior. Exterior Bit Key Trim can be substituted for no additional charge.



French Deco Round Knob KNB1042
French Deco Small Rose Ros1036

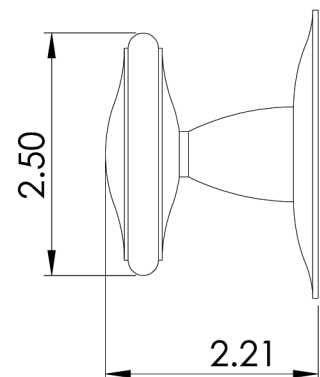
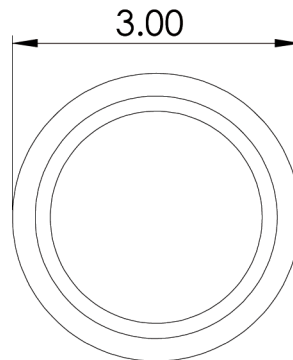


French Deco Round Knob on Large French Deco Rose

- Classic French Deco Design
- Solid Forged Brass Knob and Rose
- Hand Polished
- Fully Concealed Mounting
- All IML Privacy and Tubular Mortise Bolt Privacy Sets come with ER Trim Standard on the Exterior. Exterior Bit Key Trim can be substituted for no additional charge.



French Deco Round Knob KNB1042
French Deco Large Rose Ros1037





French Deco Lever with Small French Deco Rose

Entry Mortise		Standard	Distressed	ETERNA
CS03096	French Deco Lever with Small Rose - Entry Mortise	1,022.56	1,118.35	1,225.11
IML Mortise Sets				
CS03097	French Deco Lever with Small Rose - IML Passage	484.96	535.32	588.95
CS03098	French Deco Lever with Small Rose - IML Privacy	749.28	824.27	961.52
CS03099	French Deco Lever with Small Rose - IML Bit Key	697.76	773.92	845.60
CS03100	French Deco Lever with Small Rose - IML Single	808.64	889.29	982.07
CS03101	French Deco Lever with Small Rose - IML Double	786.24	874.72	960.79
Tubular Latch Sets				
CS03102	French Deco Lever with Small Rose - TL Passage, 2-3/4 BS	344.96	393.12	437.92
CS03103	French Deco Lever with Small Rose - TL Passage, 2-3/8 BS	344.96	393.12	437.92
CS03104	French Deco Lever with Small Rose - Privacy (Passage TL with Mortise Bolt 2-3/8 BS)	623.84	713.44	808.64
Dummy Trim				
CS03105	French Deco Lever with Small Rose - Single Dummy	157.92	176.96	192.64
CS03106	French Deco Lever with Small Rose - Pair of Dummies	306.88	344.96	376.32

Prices are based upon a standard 1.75 inch door thickness and 2.5 inch backset lock. Other backsets and accommodations for alternate door thicknesses are available at extra cost. Please check with customer service.

All IML Privacy and Tubular Mortise Bolt Privacy Sets come with ER Trim Standard on the Exterior. Exterior Bit Key Trim can be substituted for no additional charge.



French Deco Lever with Large French Deco Rose

Entry Mortise		Standard	Distressed	ETERNA
CS03107	French Deco Lever with Large Rose - Entry Mortise	1,041.60	1,126.72	1,232.95
IML Mortise Sets				
CS03108	French Deco Lever with Large Rose - IML Passage	504.00	543.20	596.96
CS03109	French Deco Lever with Large Rose - IML Privacy	767.20	831.04	910.56
CS03110	French Deco Lever with Large Rose - IML Bit Key	714.56	779.52	854.56
CS03111	French Deco Lever with Large Rose - IML Single	827.68	900.48	988.96
CS03112	French Deco Lever with Large Rose - IML Double	805.28	882.56	967.68
Tubular Latch Sets				
CS03113	French Deco Lever with Large Rose - TL Passage, 2-3/4 BS	387.52	424.48	469.28
CS03114	French Deco Lever with Large Rose - TL Passage, 2-3/8 BS	387.52	424.48	469.28
CS03115	French Deco Lever with Large Rose - TL Privacy, 2-3/4 BS	418.88	454.84	497.28
CS03116	French Deco Lever with Large Rose - TL Privacy, 2-3/8 BS	418.88	454.84	497.28
CS03117	French Deco Lever with Large Rose - Privacy (Passage TL with Mortise Bolt 2-3/8 BS)	665.28	743.68	840.00
Dummy Trim				
CS03118	French Deco Lever with Large Rose - Single Dummy	168.00	181.44	197.12
CS03119	French Deco Lever with Large Rose - Pair of Dummies	325.92	352.80	384.16

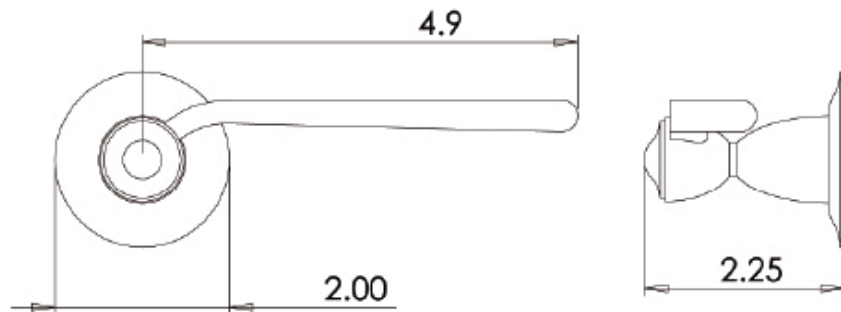
All Prices in US Dollars - Prices Subject to Change Without Notice
Please Check with Customer Service for Up to Date Pricing.

French Deco Lever on Rose

French Deco Lever on Small French Deco Rose



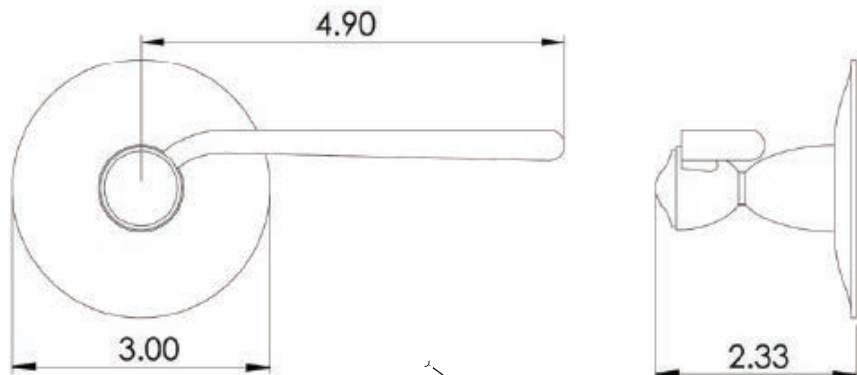
- Classic French Deco Design
- Solid Forged Brass Lever and Rose
- Hand Polished
- Fully Concealed Mounting
- All IML Privacy and Tubular Mortise Bolt Privacy Sets come with ER Trim Standard on the Exterior. Exterior Bit Key Trim can be substituted for no additional charge.



French Deco Lever on Large French Deco Rose



- Classic French Deco Design
- Solid Forged Brass Lever and Rose
- Hand Polished
- Fully Concealed Mounting
- All IML Privacy and Tubular Mortise Bolt Privacy Sets come with ER Trim Standard on the Exterior. Exterior Bit Key Trim can be substituted for no additional charge.



All Prices in US Dollars - Prices Subject to Change Without Notice
Please Check with Customer Service for Up to Date Pricing.



French Deco Escutcheon with French Deco Round Knob

	Entry Mortise	Standard	Distressed	ETERNA
CS03066	French Deco Escutcheon French Deco Round Knob -Entry Mortise	1,219.39	1,371.03	1,504.08
CS03067	French Deco Escutcheon French Deco Round Knob -Entry Mortise Dummy	589.95	688.95	762.64
IML Mortise Sets				
CS03068	French Deco Escutcheon French Deco Round Knob - IML Passage	731.07	835.67	927.28
CS03069	French Deco Escutcheon French Deco Round Knob - IML Privacy	910.27	1,033.91	1,135.60
CS03070	French Deco Escutcheon French Deco Round Knob- IML Bit Key	831.87	942.07	1,039.28
CS03071	French Deco Escutcheon French Deco Round Knob IML Single	960.67	1,092.15	1,202.80
CS03072	French Deco Escutcheon French Deco Round Knob - IML Double	902.43	1,022.71	1,128.88
CS03073	French Deco Escutcheon French Deco Round Knob - IML Patio Set	890.11	1,012.63	1,113.20
Tubular Latch Sets				
CS03074	French Deco Escutcheon French Deco Round Knob - TL Passage, 2-3/4 BS	591.07	693.43	776.08
CS03075	French Deco Escutcheon French Deco Round Knob - TL Passage, 2-3/8 BS	591.07	693.43	776.08
CS03076	French Deco Escutcheon French Deco Round Knob - TL Privacy, 2-3/4 BS	640.35	744.95	826.48
CS03077	French Deco Escutcheon French Deco Round Knob - TL Privacy, 2-3/8 BS	640.35	744.95	826.48
CS03078	French Deco Escutcheon French Deco Round Knob - Privacy (Passage TL with Mortise Bolt 2-3/8 BS)	784.83	923.03	1,041.52
Dummy Trim				
CS03079	French Deco Escutcheon French Deco Round Knob- Single Dummy	275.37	325.52	356.12
CS03080	French Deco Escutcheon French Deco Round Knob- Pair of Dummies	547.39	639.67	708.88

All IML Privacy and Tubular Mortise Bolt Privacy Sets come with ER Trim Standard on the Exterior. Exterior Bit Key Trim can be substituted for no additional charge.

Prices are based upon a standard 1.75 inch door thickness and 2.5 inch backset lock. Other backsets and accommodations for alternate door thicknesses are available at extra cost. Please check with customer service.



French Deco Escutcheon with French Deco Oval Knob

	Entry Mortise	Standard	Distressed	ETERNA
CS03081	French Deco Escutcheon French Deco Oval Knob -Entry Mortise	1,219.39	1,371.03	1,504.08
CS03082	French Deco Escutcheon French Deco Oval Knob -Entry Mortise Dummy	589.95	688.95	762.64
IML Mortise Sets				
CS03083	French Deco Escutcheon French Deco Oval Knob - IML Passage	731.07	835.67	927.28
CS03084	French Deco Escutcheon French Deco Oval Knob - IML Privacy	910.27	1,033.91	1,135.60
CS03085	French Deco Escutcheon French Deco Oval Knob - IML Bit Key	831.87	942.07	1,039.28
CS03086	French Deco Escutcheon French Deco Oval Knob - IML Single	960.67	1,092.15	1,202.80
CS03087	French Deco Escutcheon French Deco Oval Knob - IML Double	902.43	1,022.71	1,128.88
CS03088	French Deco Escutcheon French Deco Oval Knob - IML Patio Set	890.11	1,012.63	1,113.20
Tubular Latch Sets				
CS03089	French Deco Escutcheon French Deco Oval Knob - TL Passage, 2-3/4 BS	591.07	693.43	776.08
CS03090	French Deco Escutcheon French Deco Oval Knob - TL Passage, 2-3/8 BS	591.07	693.43	776.08
CS03091	French Deco Escutcheon French Deco Oval Knob - TL Privacy, 2-3/4 BS	640.35	744.95	826.48
CS03092	French Deco Escutcheon French Deco Oval Knob - TL Privacy, 2-3/8 BS	640.35	744.95	826.48
CS03093	French Deco Escutcheon French Deco Oval Knob - Privacy (Passage TL with Mortise Bolt 2-3/8 BS)	784.83	923.03	1,041.52
Dummy Trim				
CS03094	French Deco Escutcheon French Deco Oval Knob - Single Dummy	275.37	325.52	356.12
CS03095	French Deco Escutcheon French Deco Oval Knob - Pair of Dummies	547.399	639.67	708.88

French Deco Round Knob and Oval Knob Escutcheon Sets



Round Knob
on Escutcheon

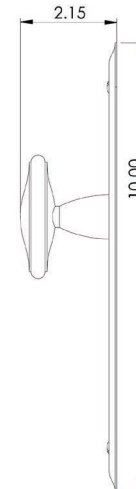
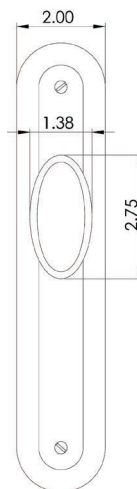
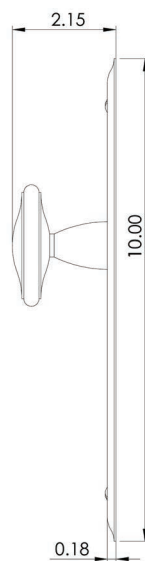
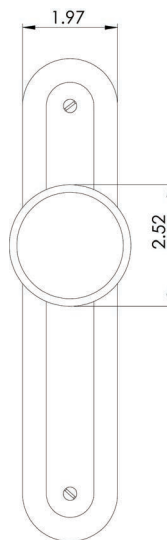


Oval Knob
on Escutcheon

- Traditional French Deco Design
- Forged Brass Escutcheon Inside and Outside
- Solid Forged Brass Knobs
- Hand Polished
- Plates available with Cuts for all Von Morris Locks as well as Custom Cuts for other Manufacturers' Locks
- Specify door thickness when ordering
- All IML Privacy and Tubular Mortise Bolt Privacy Sets come with ER Trim Standard on the Exterior. Exterior Bit Key Trim can be substituted for no additional charge.

French Deco Escutcheon with
French Deco Round Knob KNB1042

French Deco Escutcheon with
French Deco Oval Knob KNB 1043





All Prices in US Dollars - Prices Subject to Change Without Notice
Please Check with Customer Service for Up to Date Pricing.

French Deco Escutcheon with French Deco Lever

Entry Mortise		Standard	Distressed	ETERNA
CS03144	French Deco Escutcheon French Deco Lever -Entry Mortise	1,219.39	1,371.03	1,504.08
CS03145	French Deco Escutcheon French Deco Lever -Entry Mortise Dummy	589.95	688.95	762.64
IML Mortise Sets				
CS03146	French Deco Escutcheon French Deco Lever - IML Passage	731.07	835.67	927.28
CS03147	French Deco Escutcheon French Deco Lever - IML Privacy	910.27	1,033.91	1,135.60
CS03148	French Deco Escutcheon French Deco Lever- IML Bit Key	831.87	942.07	1,039.28
CS03149	French Deco Escutcheon French Deco Lever IML Single	960.67	1,092.15	1,202.80
CS03150	French Deco Escutcheon French Deco Lever - IML Double	902.43	1,022.71	1,128.88
CS03151	French Deco Escutcheon French Deco Lever - IML Patio Set	890.11	1,012.63	1,113.20
Tubular Latch Sets				
CS03152	French Deco Escutcheon French Deco Lever - TL Passage, 2-3/4 BS	591.07	693.43	776.08
CS03153	French Deco Escutcheon French Deco Lever - TL Passage, 2-3/8 BS	591.07	693.43	776.08
CS03154	French Deco Escutcheon French Deco Lever - TL Privacy, 2-3/4 BS	640.35	744.95	826.48
CS03155	French Deco Escutcheon French Deco Lever - TL Privacy, 2-3/8 BS	640.35	744.95	826.48
CS03156	French Deco Escutcheon French Deco Lever - Privacy (Passage TL with Mortise Bolt 2-3/8 BS)	784.83	923.03	1,041.52
Dummy Trim				
CS03157	French Deco Escutcheon French Deco Lever- Single Dummy	275.37	325.52	356.12
CS03158	French Deco Escutcheon French Deco Lever- Pair of Dummies	547.39	639.67	708.88

II IML Privacy and Tubular Mortise Bolt Privacy Sets come with ER Trim Standard on the Exterior. Exterior Bit Key Trim can be substituted for no additional charge.

Prices are based upon a standard 1.75 inch door thickness and 2.5 inch backset lock. Other backsets and accommodations for alternate door thicknesses are available at extra cost. Please check with customer service.

French Deco Lever on French Deco Escutcheon Sets



- Traditional French Deco Design
- Forged Brass Escutcheon Inside and Outside
- Solid Forged Brass Knob/Lever
- Hand Polished
- Plates available with Cuts for all Von Morris Locks as well as Custom Cuts for other Manufacturers' Locks
- Specify door thickness when ordering
- All IML Privacy and Tubular Mortise Bolt Privacy Sets come with ER Trim Standard on the Exterior. Exterior Bit Key Trim can be substituted for no additional charge.

French Deco Escutcheon with
French Deco Lever LEV1033

